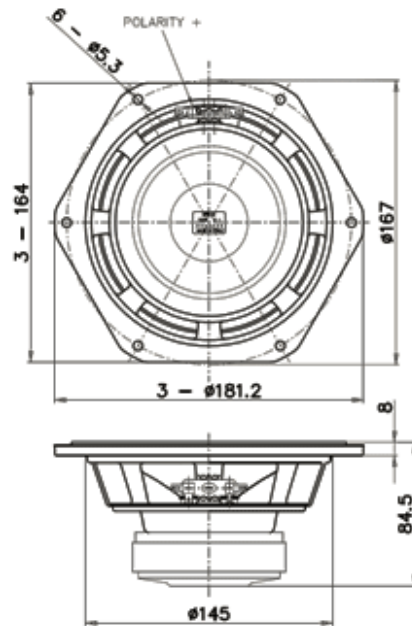




6FE100 Fe Series



NOMINAL SPECIFICATIONS

Nominal Diameter	160 mm (6 in)
Overall Diameter	181.2/164 mm (7.13/6.46 in)
Bolt Circle Diameter	167 mm (6.57 in)
Baffle Cutout Diameter	146 mm (5.7 in)
Depth	84.5 mm (3.33 in)
Flange and Gasket Thickness	8 mm (0.31 in)
Net Weight	1.3 Kg (2.86 lb)
Shipping Box (Single Carton Box)	195x195x141 mm (7.68x7.68x5.55 in)
Shipping Weight	1.5 Kg (3.3 lb)

ELECTRICAL SPECIFICATION

Minimum Impedance	5.9 Ohm
Nominal Impedance	8 Ohm
Nominal Power Handling *	100 W
Maximum Power Handling **	200 W
Sensitivity (1W/1m)	91 dB
Frequency Range	65÷5000 Hz
Voice Coil Diameter	32 mm (1.26 in)
Winding Material	Cu
Former Material	Kapton
Winding Depth	12.5 mm (0.49 in)
Magnetic Gap Depth	6 mm (0.24 in)
Flux Density	1 T

THIELE & SMALL PARAMETERS

Fs	61 Hz
Re	5.4 Ohm
Bl	6.9 N/A
Mms	14.1 g
Cms	0.49 mm/N
Rms	1.13 Kg/s
Qes	0.61
Qms	4.58
Qts	0.54
Vas	12.94 dm ³ (0.45 ft ³)
Sd	137 cm ² (21.23 in ²)
Xmax ***	5.25 mm
Xdamage ****	15.2 mm
Le	0.39 mH
Mmd	13.2 g
Eta Zero	0.46 %

ORDERING CODES

Faston Terminals - 8 Ohm Version	01603942
----------------------------------	----------

NOTES

(*) 2 Hours Test According to AES 2-1984 Rev. 2003

(**) Maximum power is defined as 3dB greater than nominal power.

(***) $X_{max} = [(winding\ depth - magnetic\ gap\ depth) / 2] + (magnetic\ gap\ depth / 3)$

(****) Maximum excursion before permanent damage

CURVES

