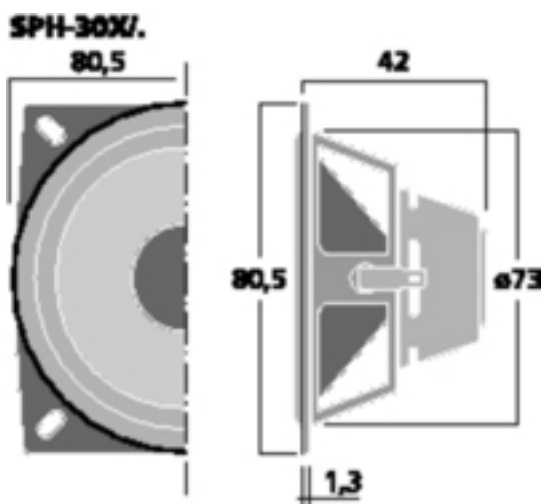
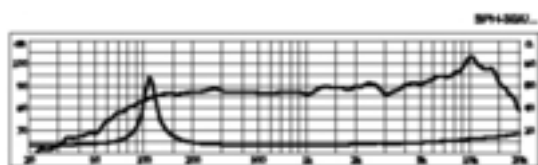


SPH-30X/8 - Fullrange Speaker



High-quality hi-fi full range speakers, 50 WMAX, 20 WRMS, 8 Ohm (/8) or 4 Ohm (/4), with yellow or black (SW) Kevlar cone

- Well dampened Kevlar cone of extra low weight
- Drive system with full air ventilation
- High-quality NEODYMIUM magnetic system with double magnet
- Specially developed basket also for multiple arrangements
- High efficiency



- Small speakers for background PA applications or e.g. rear speakers in home cinema systems
- Suitable for applications from mid-high range speakers or full range midrange speakers in high-end hi-fi speaker systems to multiple arrangements in column speakers



Technical data

Impedance (Z)	: 8 Ohm
Resonant frequency (fs)	: 105Hz
Max. frequency range	: f3-17,000Hz
Music power	: 50W _{MAX}
Power rating (P)	: 20W _{RMS}
SPL (1 W/m)	: 87dB
Suspension compl. (Cms)	: 0.90mm/N
Moving mass (Mms)	: 2.65g
Mech. Q factor (Qms)	: 8.59
Electr. Q factor (Qes)	: 0.49
Total Q factor (Qts)	: 0.46
Equivalent volume (Vas)	: 1.13 l
DC resistance (Re)	: 5.7 Ohm
Force factor (BxL)	: 4.48Tm
Voice coil induct. (Le)	: 0.5mH
Voice coil diameter	: 21mm
Voice coil former	: Kapton
Linear excursion (X _{MAX})	: ±2mm
Eff. cone area (Sd)	: 30cm ²
Magnet weight	: neodymium
Weight	: 150g