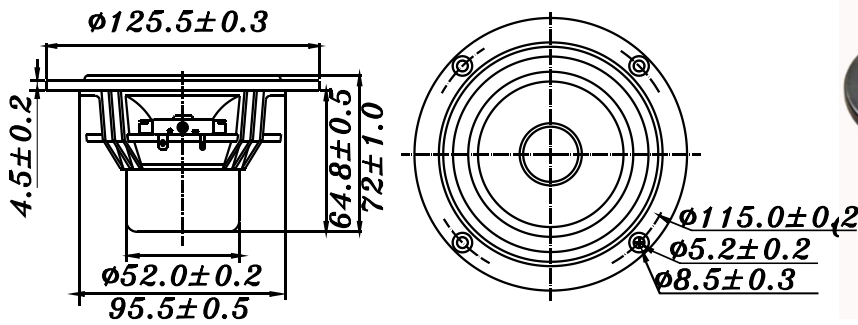


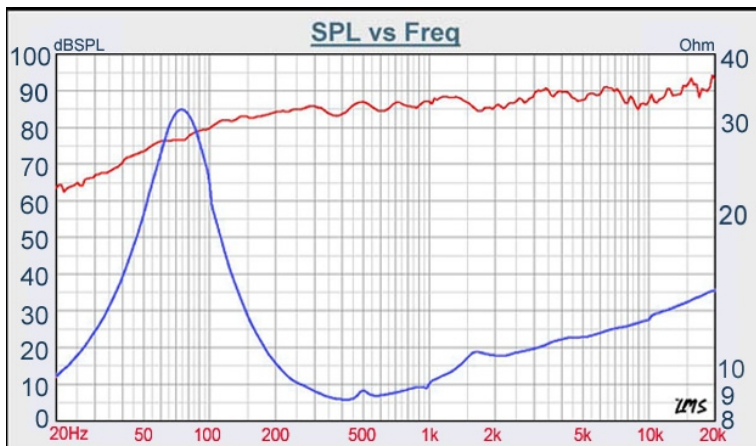
F SERIES

W4-1320SI



- LONG THROW, HIGH POWER LOADING DESIGN
- BAMBOO FIBER PAPER CONE WITH RUBBER SURROUND
- DIE CAST BASKET
- VENTED POLE PIECE
- NEODYMIUM DESIGN, MAGNETIC SHIELDED, UNDERHUNG DESIGN
- LOW 2nd, 3rd DISTORTION DESIGN

4" PAPER FULL RANGE



DIAPHRAGM MTL	Paper
SURROUND MTL	Rubber
NOMINAL IMPEDANCE	8 Ω
DCR IMPEDANCE	6.8 Ω
SENSITIVITY 1W/1m	89 dB
FREQUENCY RESPONSE	75 - 20 K Hz
FREE AIR RESONANCE	75 Hz
VOICE COIL DIAMETER	25.4 mm
AIR GAP HEIGHT	10 mm
RATED POWER INPUT	25 W
MAXIMUM POWER INPUT	50 W
FORCE FACTOR, BL	5.13 TM
MAGNET WEIGHT (oz)	Neodymium
MOVING MASS	3.99 g
FERROFLUID ENHANCED	No
SUSPENSION COMPLIANCE	1134 μMN^{-1}
EFFECTIVE PISTON AREA	0.0057 M^2
Levc	0.014 mH
Zo	32 ohm.
X-max	3 mm
Vas	5.23 Litr.
Qts	0.378
Qms	1.75
Qes	0.48

TRB SPEAKERS

P.O. BOX 10-53 NEI HU, TAIPEI, TAIWAN
 VOICE 886.2.26570282 FAX 886.2.26580166