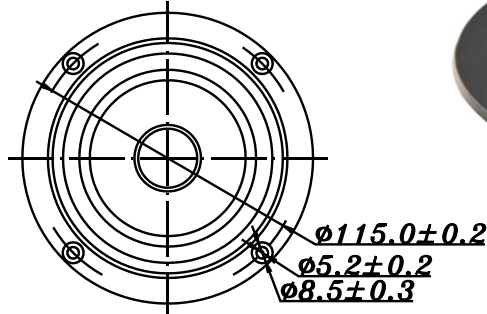
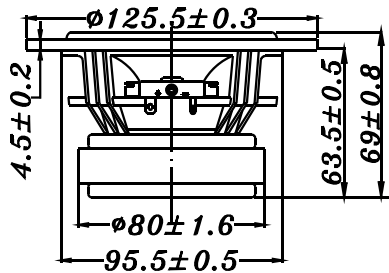


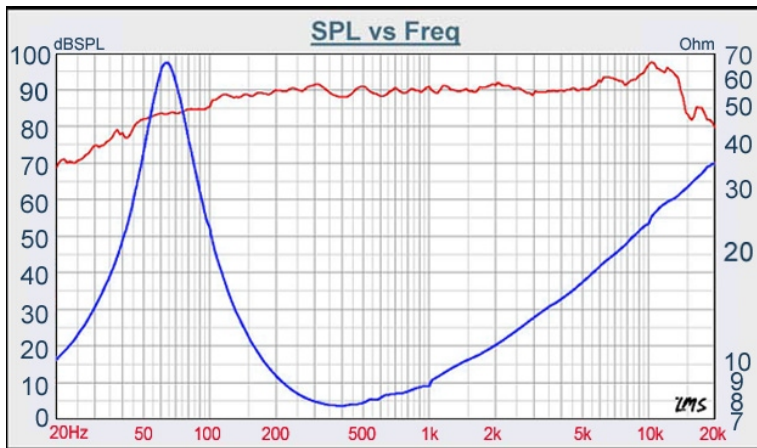
F SERIES

W4-655E



- FULL RANGE DESIGN
- HOME HI-FI, HOME THEATER, MID BASS APPLICATION
- DIE CAST BASKET
- PAPER CONE WITH RUBBER SURROUND
- CCAW WITH KAPTON BOBBIN
- ALUMINUM PHASE PLUG

**4" PAPER CONE/
FULL RANGE, WOOFER**



DIAPHRAGM MTL	Paper
SURROUND MTL	Rubber
NOMINAL IMPEDANCE	8 Ω
DCR IMPEDANCE	6 Ω
SENSITIVITY 1W/1m	89 dB
FREQUENCY RESPONSE	70 - 15 K Hz
FREE AIR RESONANCE	70 Hz
VOICE COIL DIAMETER	25.4 mm
AIR GAP HEIGHT	6 mm
RATED POWER INPUT	25 W
MAXIMUM POWER INPUT	50 W
FORCE FACTOR, BL	5.71 TM
MAGNET WEIGHT (12.40 oz)	350 g
MOVING MASS	4.23 g
FERROFLUID ENHANCED	No
SUSPENSION COMPLIANCE	1457 μMN ⁻¹
EFFECTIVE PISTON AREA	0.0057 M ²
Levc	0.113 mH
Zo	67.00 ohm
X-max	3.40 mm
Vas	6.72 Litr.
Qts	0.29
Qms	3.14
Qes	0.32



VOICE:886.2.26570282 FAX:886.2.26580166
E-MAIL :info@tb-speaker.com