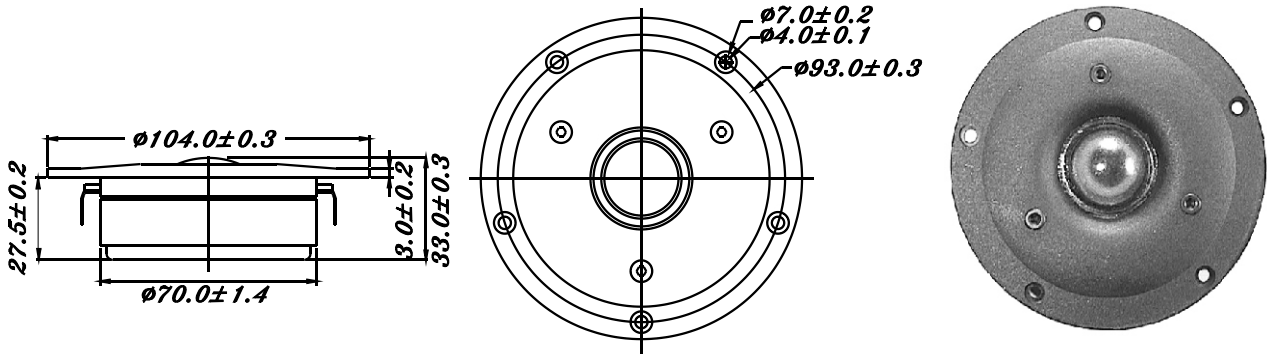


TW SERIES

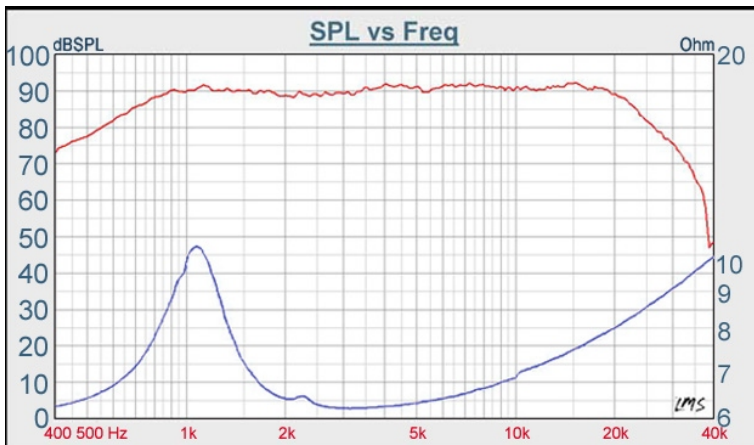
25-669C
(TS25P601)



- SOFT SILK DOME DIAPHRAGM COATED WITH HIGH LOSS MATERIAL
- FERROFLUID COOLED
- WOOL IN CAVITY OF POLE PIECE
- ABS FRONT PANEL

1" SILK DOME

DIAPHRAGM MTL	Natural silk
SURROUND MTL	N/A
NOMINAL IMPEDANCE	6 Ω
DCR IMPEDANCE	5.4 Ω
SENSITIVITY 1W/1m	91 dB
FREQUENCY RESPONSE	1100 - 25K Hz
FREE AIR RESONANCE	1100 Hz
VOICE COIL DIAMETER	25 mm
AIR GAP HEIGHT	3 mm
RATED POWER INPUT	8 W
MAXIMUM POWER INPUT	80 W
FORCE FACTOR, BL	N/A
MAGNET WEIGHT (8 oz)	216 g
MOVING MASS	N/A
FERROFLUID ENHANCED	Yes
SUSPENSION COMPLIANCE	N/A
EFFECTIVE PISTON AREA	N/A
Levc	0.01 mH
Zo	N/A
X-max	N/A
Vas	N/A
Qts	1.16
Qms	2.29
Qes	2.37



VOICE: 886.2.26570282 FAX: 886.2.26580166
E-MAIL: info@tb-speaker.com