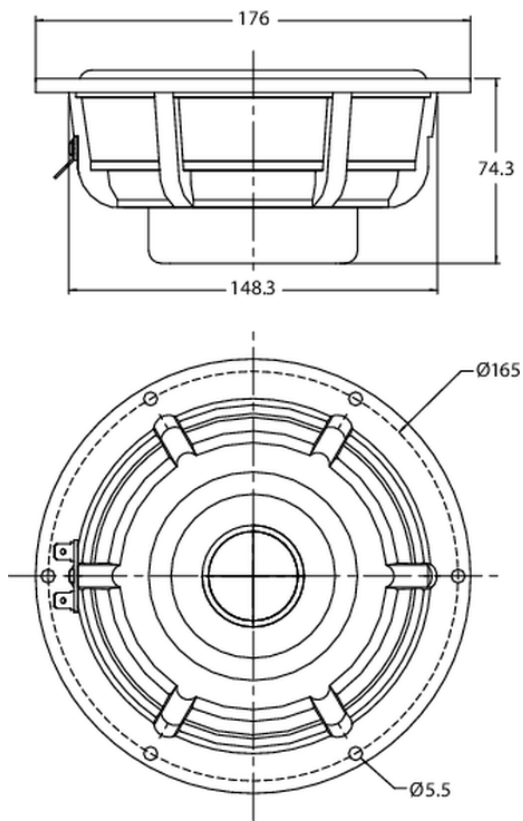




ES180Ti-8 7" Esoteric Series Woofer 8 Ohm

ES180Ti-8



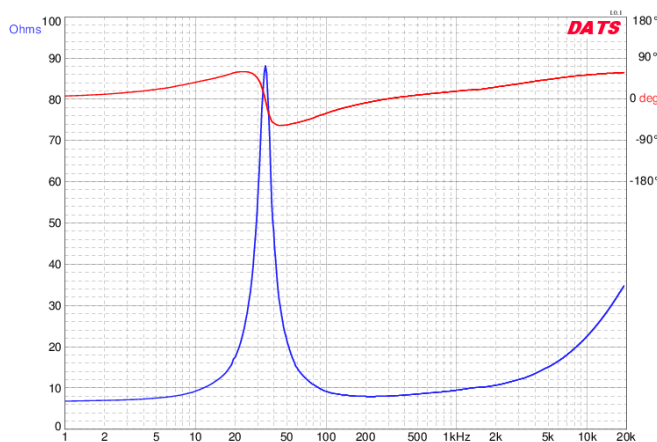
PARAMETERS

Impedance	8 ohms
Re	6.8 ohms
Le	1.04 mH @ 1 kHz
Fs	34.3 Hz
Qms	5.17
Qes	0.43
Qts	0.40
Mms	27.1g
Cms	0.79 mm/N
Sd	132.7 cm ²
Vd	70.3 cm ³
BL	9.59 Tm
Vas	19.6 liters
Xmax	5.3 mm
VC Diameter	75 mm
SPL	85.2 dB @ 2.83V/1m
RMS Power Handling	100 watts
Usable Frequency Range (Hz)	35 - 5,500 Hz

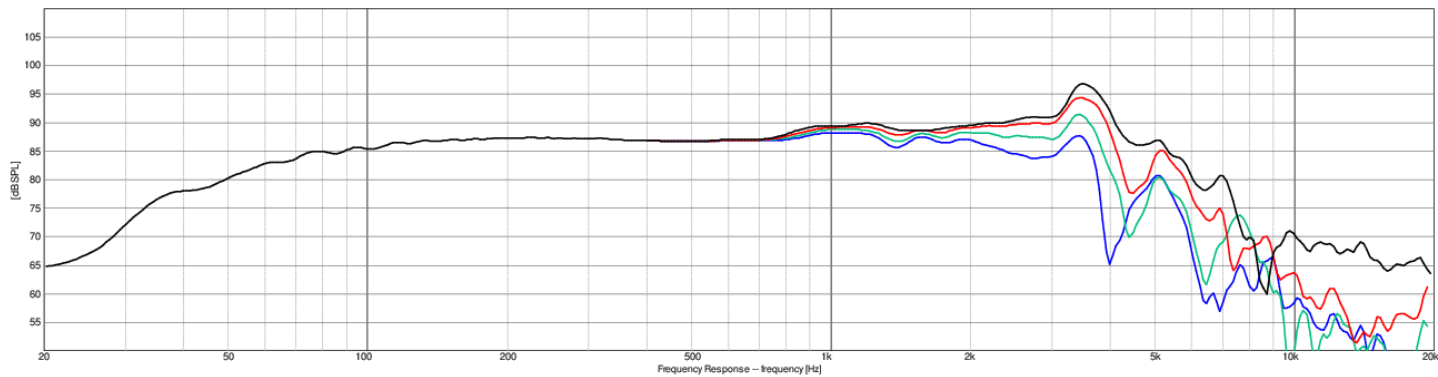
FEATURES

- 3" edgewound voice coil on titanium former provides exceptional transient response
- High excursion suspension design with woven tinsel leads and fully ventilated frame
- Woven glass-fiber cone provides excellent stiffness for minimal cone flex
- Dual copper shorting rings in the motor for reduced energy storage
- High-power, ultra-low-distortion design

IMPEDANCE/PHASE



FREQUENCY RESPONSE



Note: 1/12th octave smoothing - nearfield response included in graph below 450 Hz.

Black = 0°
Red = 15°
Green = 30°
Blue = 45°