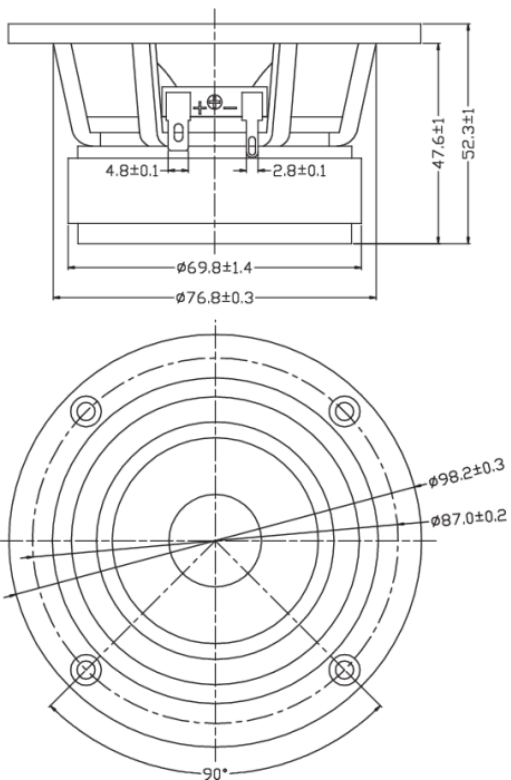




# PS95-8 3-1/2" Point Source Full Range Driver 8 Ohm

PS95-8



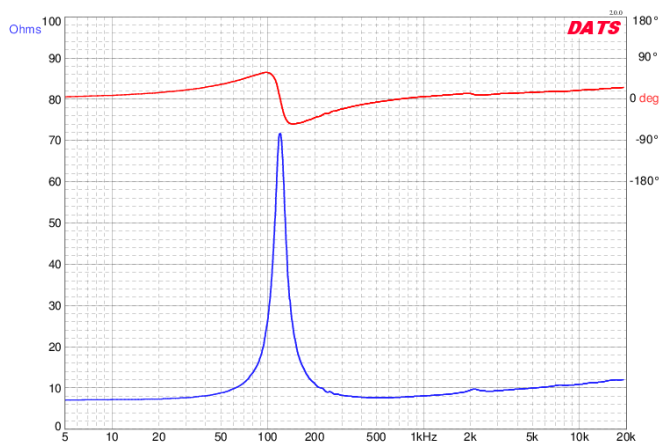
## PARAMETERS

Impedance	8 ohms
Re	7.1 ohms
Le	0.63 mH @ 1 kHz
Fs	119.8 Hz
Qms	7.33
Qes	0.80
Qts	0.72
Mms	2.2g
Cms	0.79 mm/N
Sd	28.3 cm <sup>2</sup>
Vd	7.08 cm <sup>3</sup>
BL	3.83 Tm
Vas	0.94 liters
Xmax	2.5 mm
VC Diameter	20 mm
SPL	85.56 dB @ 2.83V/1m
RMS Power Handling	10 watts
Usable Frequency Range (Hz)	110 - 20,000 Hz

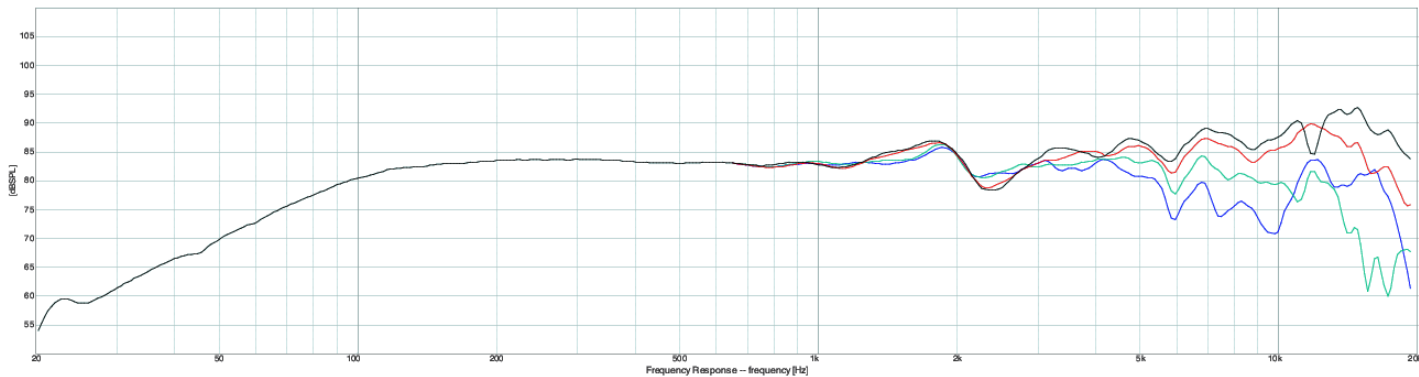
## FEATURES

- Detailed, natural sounding full-range audio performance without distortion
- Classy copper-anodized phase plug spreads dispersion and avoids resonance
- Non-resonant cast frame enhances clarity and dynamics
- Low-mass voice coil and paper cone produce detailed, non-fatiguing sound
- Copper pole cap in motor assembly reduces inductance and distortion

## IMPEDANCE/PHASE



## FREQUENCY RESPONSE



Note: 1/24<sup>th</sup> octave smoothing - nearfield response included in graph below 450 Hz.

Black = 0°  
Red = 15°  
Green = 30°  
Blue = 45°