



SPH-175HQ

Order No.: 10.1470

EUR 84,90

RRP *

PRODUCTINFOS

High-quality hi-fi bass-midrange speaker, 70 W, 8 Ω

- 170 mm (6 3/4") bass-midrange speaker
- Further development of the classic speaker SPH-176
- Diecast basket
- Rear-ventilated centering spider for minimum mechanical loss
- Scooped, air-dried, low-resonance paper cone
- Low-loss rubber surround
- Wide and linear radiation range
- Ideal parameters for bass-reflex systems

Klang+Ton 06/2014

"Used in the speaker building concept MonaLisa: usually rather unobtrusive with a harmonised tuning, this speaker can still show an impressive performance, even at very high volume levels and when listening over longer periods of time. It provides a powerful bass and midrange reproduction and features an elegance which can only be realised with high-quality materials."

HOBBY HiFi 03/2014

"An exceptionally high-quality radiation without any cone resonance."

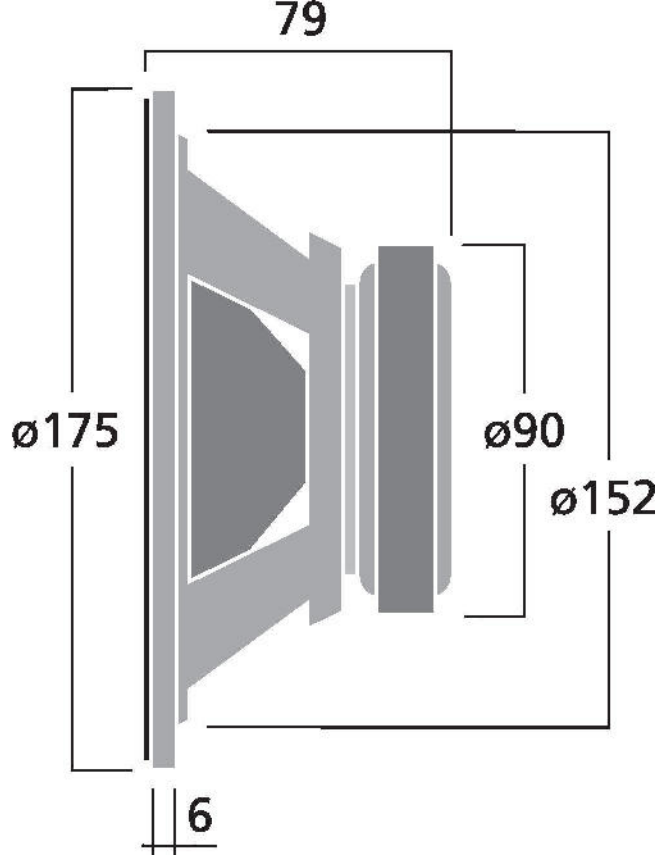
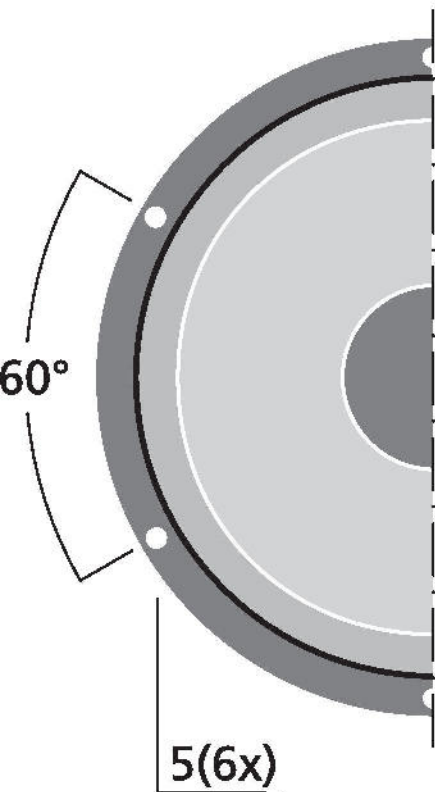
TECHNICAL SPECIFICATIONS

Impedance (Z)	8 Ω
Operating voltage	-
Frequency range	f3-4,000 Hz
Resonant frequency (fs)	39 Hz
Rec. crossov. frequ. (fmax.) (12 dB/oct.)	-
Power rating	70 W_{RMS}
Peak music power output	120 W_{MAX}
Sensitivity	89 dB
Max. rated SPL	-
Max. voltage	-
Radiation angle, horizontal	
Radiation angle, vertical	
Suspension compl. (Cms)	1.2 mm/N
Moving mass (Mms)	13.9 g
Mech. Q factor (Qms)	2.57
Electr. Q factor (Qes)	0.5
Total Q factor (Qts)	0.42
Equivalent volume (Vas)	32.95 l
DC resistance (Re)	6.5 Ω
Force factor (BxL)	6.4 Tm
Voice coil induct. (Le)	0.71 mH
Voice coil diameter	\varnothing 25 mm
Voice coil former	aluminium
Linear excursion (X_{MAX})	\pm 5.5 mm
Eff. cone area (Sd)	140 cm ²
Magnet weight	450 g
Magnet diameter	\varnothing 90 mm
Mounting cutout	-
Mounting depth	-
Mounting hole diameter	-

Hole spacing X-axis	-
Hole spacing Y-axis	-
Dimensions	Ø 175 mm x 79 mm
Outside diameter	-
Width	-
Height	-
Depth	-
Protective class	
Admiss. ambient temp.	0-40 °C
Weight	1.32 kg
Sales unit	1
Type of speaker	

* **Important Notice:** The retail prices shown here are non-binding recommendations that retailers can charge their customers. They are not part of any specific offer or advertisement. These prices include all charges as well as VAT, but do not cover any additional delivery and shipping costs. Our latest price lists for the retail market include all applicable delivery and payment terms for retailers.

SPH-175HQ



SPH-175HQ (10.1470)

