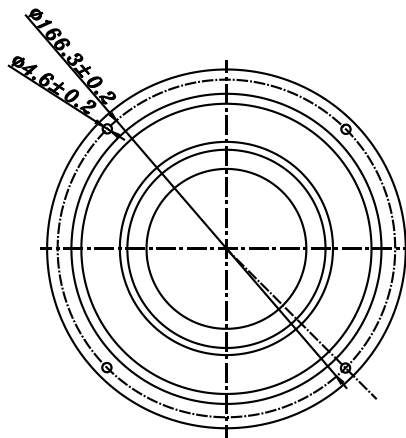
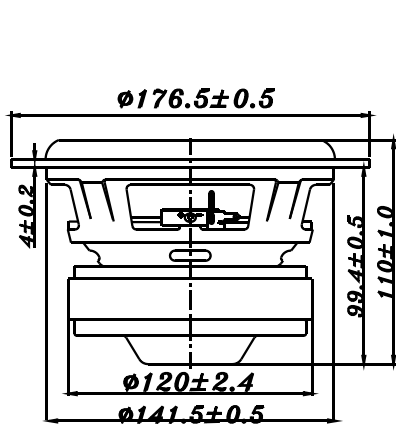


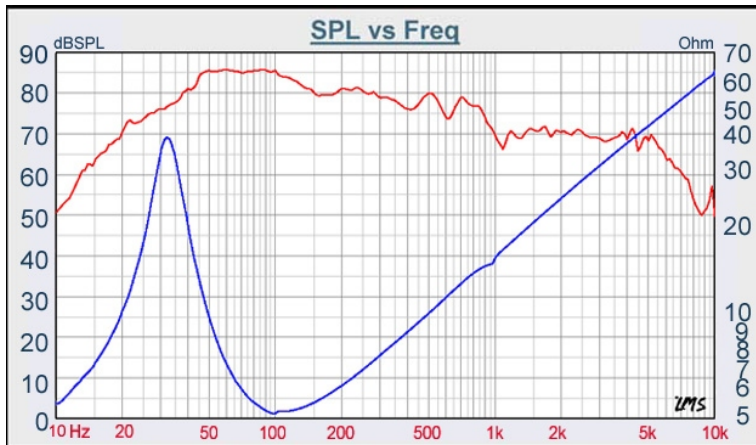
# SU SERIES

# W6-1139SIF

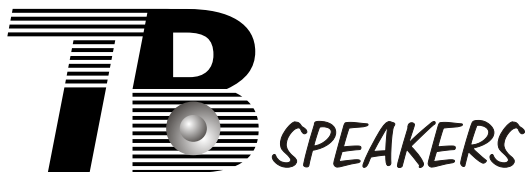


- LONG-THROW HIGH-POWER LOADING DESIGN (X-max=11.5mm)
- PAPER CONE WITH BIG ROLL, SPECIAL LESS DAMPING, WIDE RANGE TEMPERATURE RUBBER SURROUND
- VENTED POLE PIECE
- STAMPING STEEL BASKET
- SUITABLE FOR SUBWOOFER APPLICATION

## 6.5" PAPER SUBWOOFER



DIAPHRAGM MTL	Paper
SURROUND MTL	Rubber
NOMINAL IMPEDANCE	4 Ω
DCR IMPEDANCE	3.6 Ω
SENSITIVITY 1W/1m	83 dB
FREQUENCY RESPONSE	35-800 Hz
FREE AIR RESONANCE	35 Hz
VOICE COIL DIAMETER	38.5 mm
AIR GAP HEIGHT	6 mm
RATED POWER INPUT	50 W
MAXIMUM POWER INPUT	100 W
FORCE FACTOR, BL	8.47 TM
MAGNET WEIGHT (29.2 oz)	826 g
MOVING MASS	39.91 g
FERROFLUID ENHANCED	No
SUSPENSION COMPLIANCE	598.98 μMN <sup>-1</sup>
EFFECTIVE PISTON AREA	0.0140 M <sup>2</sup>
Levc	0.47 mH
Zo	39 ohm
X-max	11.5 mm
Vas	11.78 Litr
Qts	0.40
Qms	2.65
Qes	0.47



VOICE:886.2.26570282 FAX:886.2.26580166  
E-MAIL :info@tb-speaker.com