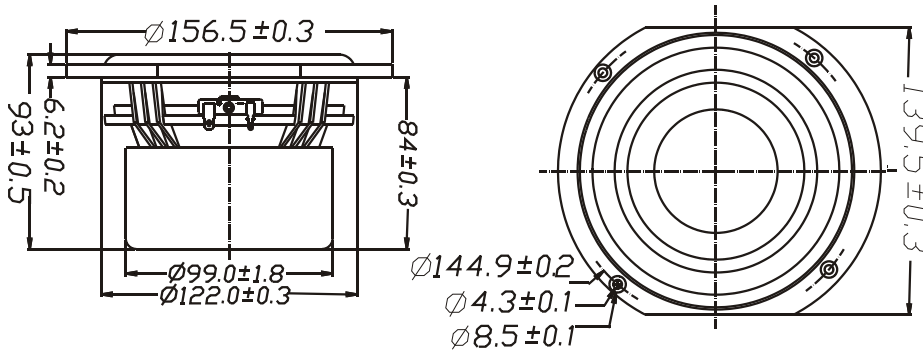


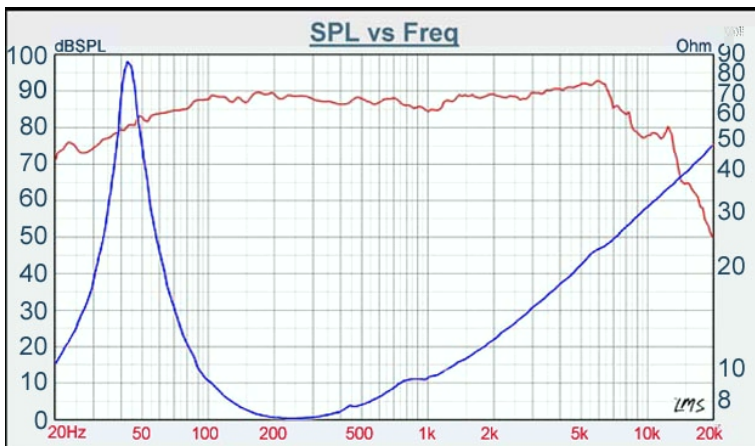
WF SERIES

W5-610S



- HOME HI-FI, HOME THEATER, MID-BASS APPLICATION
- DIE CAST BASKET
- KEVLAR FIBER CONE WITH RUBBER SURROUND
- MAGNETICALLY SHIELDED

5" KEVLAR FIBER WOOFER



DIAPHRAGM MTL	Kevlar Fiber
SURROUND MTL	Rubber
NOMINAL IMPEDANCE	8
DCR IMPEDANCE	6
SENSITIVITY 1W/1m	87 dB
FREQUENCY RESPONSE	45-7 KHz
FREE AIR RESONANCE	45 Hz
VOICE COIL DIAMETER	25.4 mm
AIR GAP HEIGHT	6 mm
RATED POWER INPUT	25 W
MAXIMUM POWER INPUT	50 W
FORCE FACTOR, BL	6.21 TM
MAGNET WEIGHT (14 oz)	409 g
MOVING MASS	10g
FERROFLUID ENHANCED	No
SUSPENSION COMPLIANCE	1295 MN ⁻¹
EFFECTIVE PISTON AREA	0.0094 M ²
Levc	0.66 mH
Zo	107.54 ohm
X-max	3.7 mm
Vas	16.3 Litr
Qts	0.40
Qms	7.25
Qes	0.43

TR SPEAKERS

P.O. BOX 10-53 NEI HU, TAIPEI, TAIWAN
 VOICE 886.2.26570282 FAX 886.2.26580166