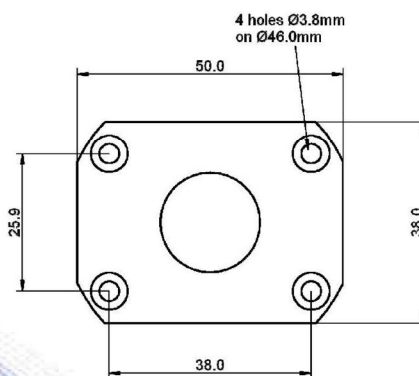


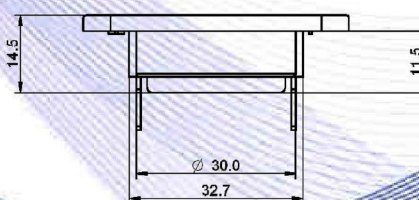
- ∞ 0.7" voice coil Epotex former
- ∞ Treated silk dome
- ∞ Neodymium magnet circuit
- ∞ Ferrofluid in the air gap
- ∞ 91.1 dB sensitivity



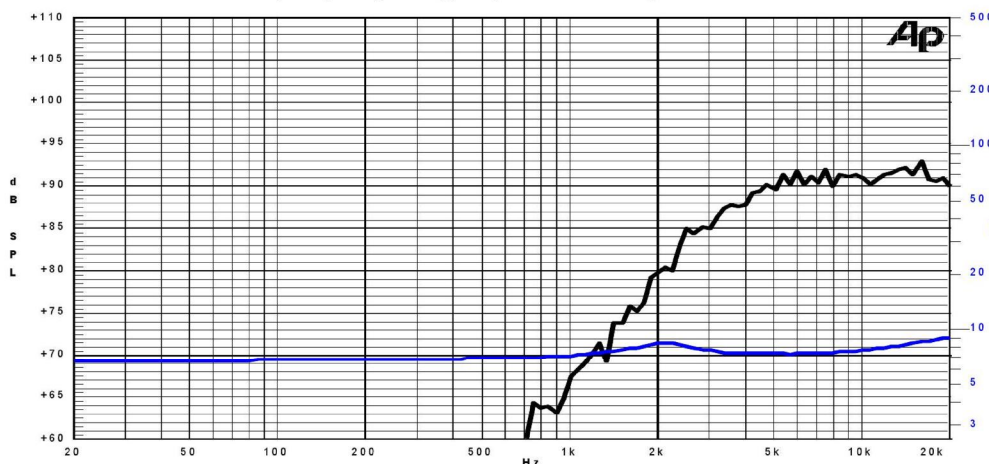
Specifications	
Nominal Dimensions	38x50mm
Nominal Impedance	8 Ω
Rated Power AES ⁽¹⁾ (4500 - 20000 Hz)	12W
Continuous Program Power ⁽²⁾	24W
Rated Noise Power (IEC 60268-5) ⁽³⁾	50W
Sensitivity @ 1W/1m ⁽⁴⁾	91.1 dB
Voice Coil Diameter	18 mm (0.7")
Voice Coil Winding Depth	1.7 mm
Magnetic Gap Depth	2 mm
Flux Density	1.10T
DC Resistance	5.80Ω
Resonance Frequency	2200Hz
Magnet Weight	5g
Net Weight	0.03kg
Recommended Crossover Frequency	4.5kHz



Constructive Characteristics	
Magnet	: Neodymium
Voice Coil Winding Material	: Copper
Voice Coil Former Material	: Epotex
Diaphragm	: Treated Silk
Ferrofluid in Air Gap	: Yes
Flange	: Nylon Fiberglass Doped
Spare Part Code	: -



Free Air Frequency Response @ 1W,1m – Free Air Impedance



- Note:
- 1 : Rated Power measured with 2 hours test with pink noise signal, 6dB crest factor, loudspeaker mounted on enclosure
 - 2: Power on Continuous Program is defined as 3 dB greater than the Rated Power
 - 3: Rated Noise Power measured with 100 hours test pink noise, 6dB crest factor IFC60268-5 filtering
 - 4: Measured at 1W,1m in axis within the frequency range
 - 5: Drawing dimensions: mm

