

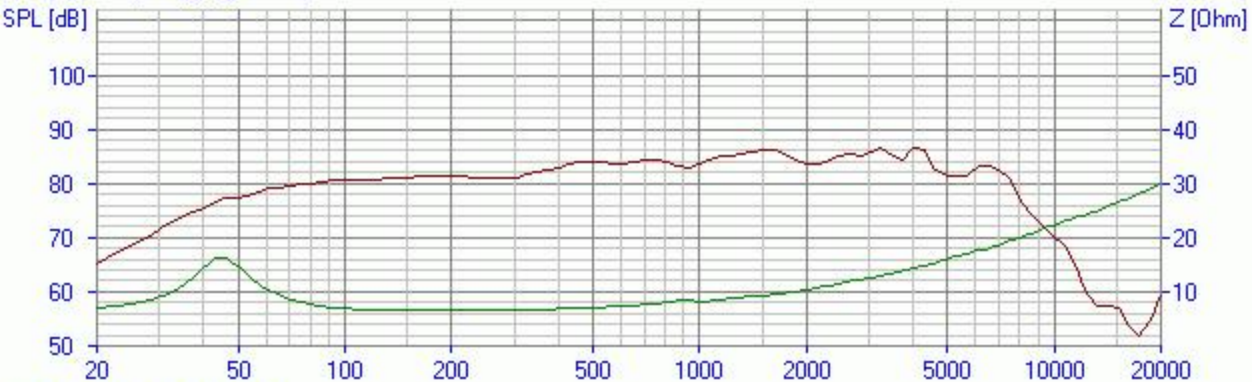
Technical Data

Rated power	60 W
Maximum power	90 W
Nominal impedance Z	8 Ohm
Frequency response	fu–7000 Hz
(fu: Lower cut-off frequency depending on cabinet)	.
Mean sound pressure level	88 dB (1 W/1 m)
Opening angle (-6 dB)	47°/4000 Hz
Excursion limit	+/-6.5 mm
Resonance frequency fs	45 Hz
Magnetic induction	0.8 T
Magnetic flux	314 μWb
Height of front pole-plate	5 mm
Voice coil diameter	25 mm

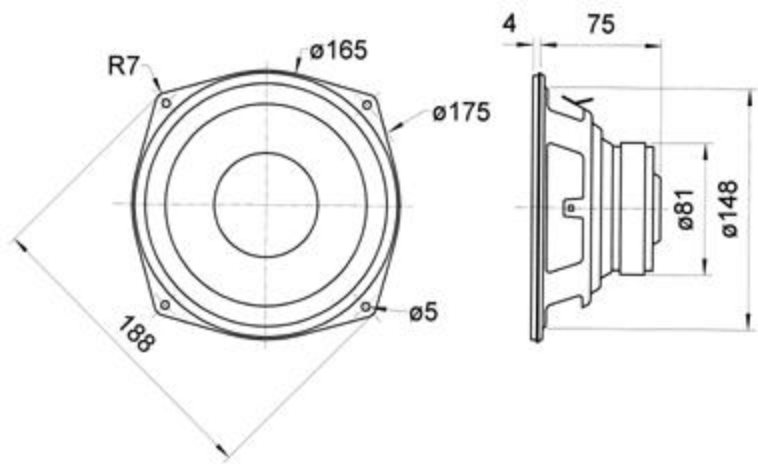
Height of winding	12 mm
Cutout diameter	150 mm
Net weight	0.97 kg
D.C. resistance R_{dc}	5.8 Ohm
Mechanical Q factor Q_{ms}	2.2
Electrical Q factor Q_{es}	1.28
Total Q factor Q_{ts}	0.81
Equivalent volume V_{as}	22 l
Effective piston area S_d	143 cm ²
Dynamically moved mass M_{ms}	16 g
Force factor $B \times l$	3.9 T m
Inductance of the voice coil L	0.9 mH
Connections	5.2 x 0.8 mm (+) 2.8 x 0.8 mm (-)

Visaton WS 17 E - 8 Ohm

Frequenzgang und Impedanz

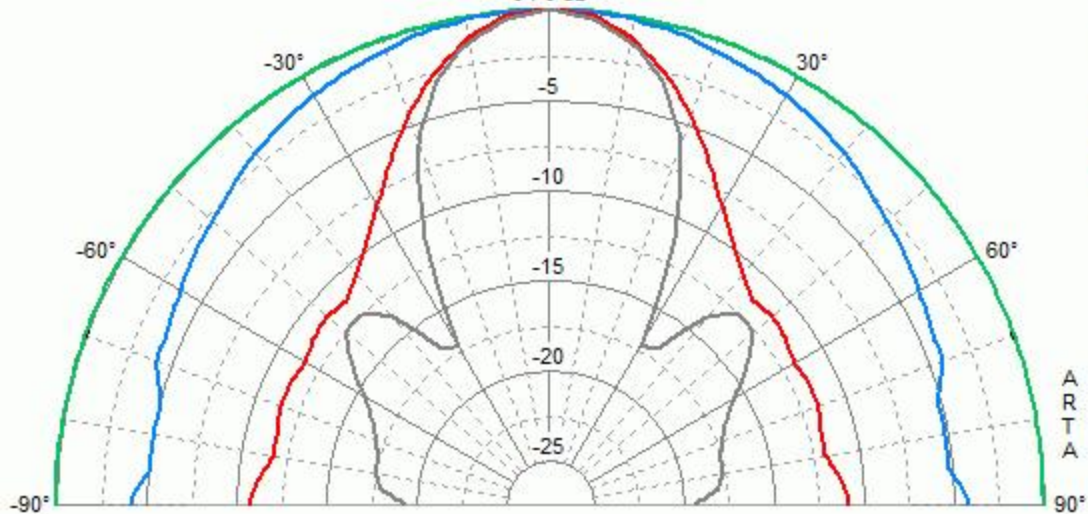


— Amplitude bei 1 Watt, 1 m
— Impedanz [Ohm]



Directivity pattern

0° / 0 dB



F(Hz)

■ 500

Overlay

■ 1000

■ 2000

■ 4000

■ 8000

A
R
T
A