

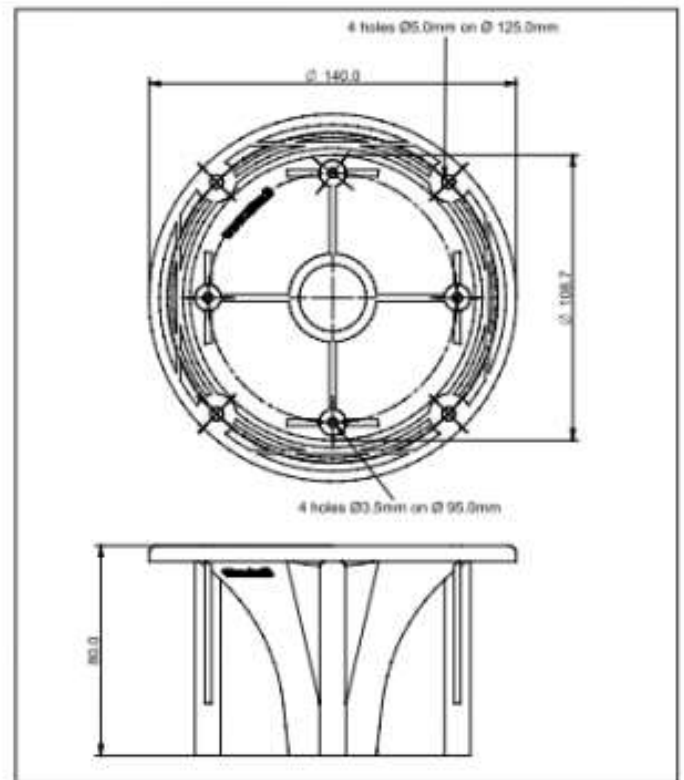
### SPECIFICATIONS

Throat Diameter .....	25.4 mm (1")
Cutoff Frequency .....	2.0 Hz
Net Weightl .....	0.10 Kg
Horizontal coverage .....	80°
Vertical coverage .....	80°
Material.....	Plastic
Shape .....	Round

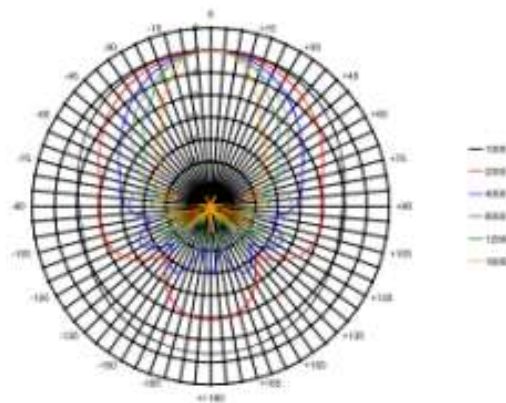
### MOUNTING INFORMATION

Overall Dimensions .....	Φ140x80 mm
Baffle Cutout Dimensions.....	Φ109 mm
Mounting Holes .....	4 holes Φ5.0 mm

### NOTE



Q07030A Polar Pattern



Q07030A - Directivity  
(0deg) Polar angle

