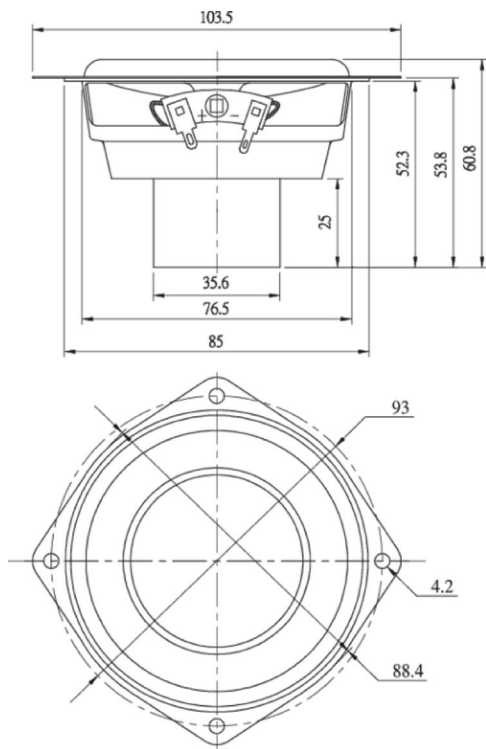




ND90-4 3-1/2" Aluminum Cone Full-Range Driver 4 Ohm



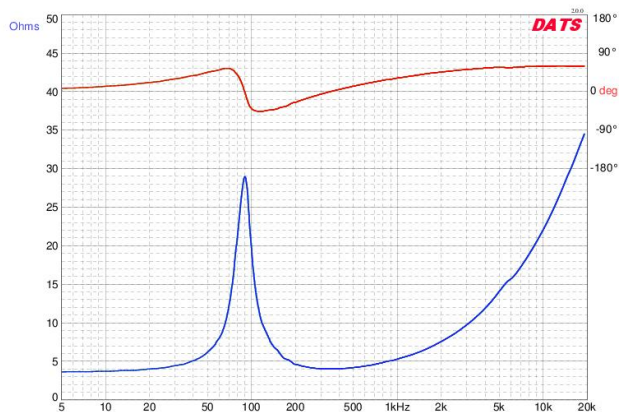
PARAMETERS

Impedance	4 ohms
Re	3.6 ohms
Le	0.62 mH @ 1 kHz
Fs	90.2 Hz
Qms	5.10
Qes	0.72
Qts	0.63
Mms	4.3g
Cms	0.73 mm/N
Sd	31.2 cm ²
Vd	12.5 cm ³
BL	3.47 Tm
Vas	1.06 liters
Xmax	4.0 mm
VC Diameter	19 mm
SPL	85.7 dB @ 2.83V/1m
RMS Power Handling	20 watts
Usable Frequency Range (Hz)	80 - 15,000 Hz

FEATURES

- Full-range 80 Hz to 15 kHz performance
- Rubber-edged aluminum alloy cone
- Large excursion capability 4 mm Xmax, 20 mm peak
- Self-shielded Neo-Balanced motor structure
- 3/4" 4-layer underhung voice coil with polyimide former
- 20 watts RMS power handling

IMPEDANCE/PHASE



FREQUENCY RESPONSE

